

Montageanleitung für KARCHER DESIGN Schiebetür-Set EPDQ 2
Installation Instructions for KARCHER DESIGN Pocket door lock Set EPDQ 2
Notice de montage pour le set de poignées cuvettes pour KARCHER DESIGN EPDQ 2
KARCHER DESIGN istruzioni di montaggio EPDQ 2 – set per porte scorrevoli

1. Türvorbereitung, Door preparation, Préparation de la porte, Preparazione porta

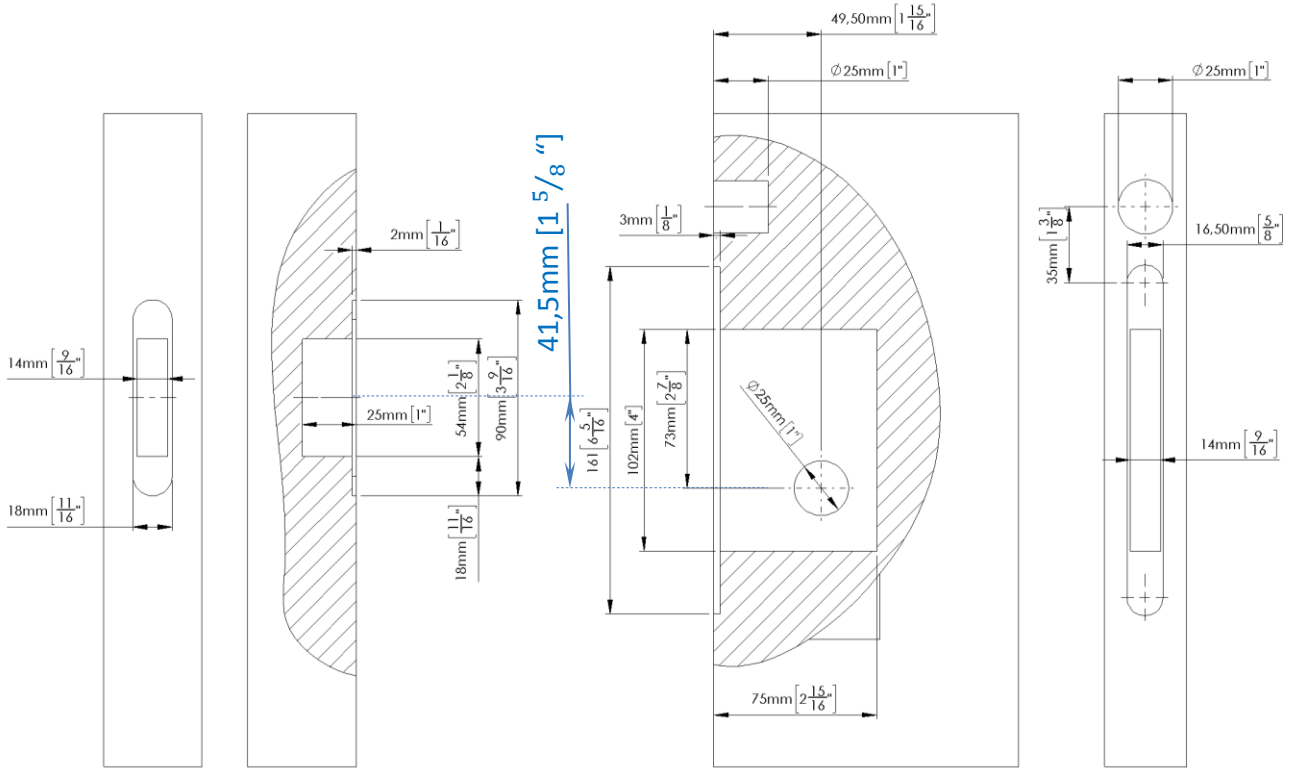
Vor dem Montieren des Schiebetür-Sets EPDQ 2 müssen Türe und Rahmen, wie in Zeichnung 1.1 und 1.2 angezeigt, gefräst werden.
Achtung: Die Zeichnungen sind nicht maßstabsgetreu und können nicht als Schablonen verwendet werden.

Before mounting the pocket door set EPDQ 2, the door and frame have to be milled according to the drawings 1.1 and 1.2 as shown below.
Attention: This product was designed by using metric units. To avoid any deviations, the milling machine has to be set to the metric system. The drawings below are not drawn to scale and may not be used as templates.

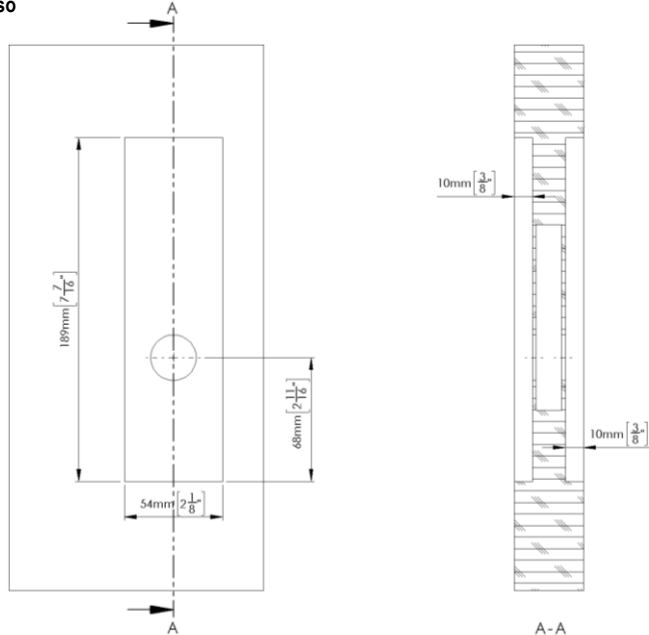
Avant le montage des poignées cuvettes EPDQ2 la porte et l'encadrement de porte doivent être fraisés suivant les plans 1.1 et 1.2.
Attention : Les plans ne sont pas à l'échelle et ne peuvent pas être utilisés comme gabarit.

Per poter eseguire correttamente il montaggio del set per porte scorrevoli EPDQ 2 è prima necessario fresare la porta e il telaio come mostrato in immagine 1.1 e 1.2.
Attenzione: I disegni tecnici seguenti sono fuori scala, non è possibile perciò usarli come maschera di riferimento.

1.1 Fräsbild zur Montage von Schloss, Fingermuschel und Schließblech, milling picture for installing lock, finger pull and strike plate, Fraisage pour le montage de la serrure, cuvettes et gâche, Montaggio di Serratura, maniglia a conchiglia e chiavistello

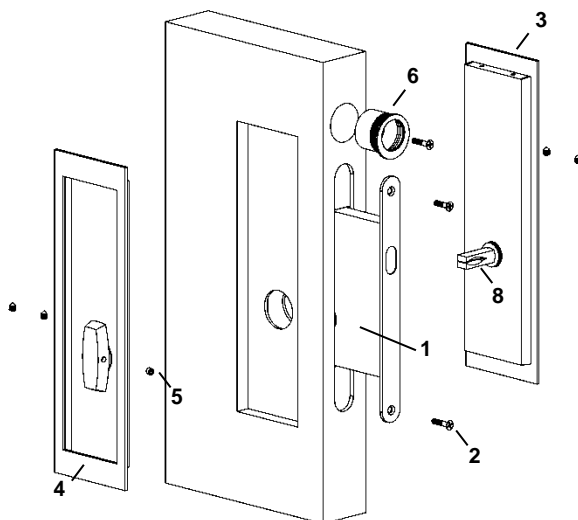


1.2 Fräsbild zur Montage der Schiebetürmuscheln, milling picture for installing the sliding plates, Fraisage pour le montage des poignées cuvettes, Montaggio maniglia ad incasso



Achtung: Die Zeichnungen sind nicht maßstabsgetreu und können nicht als Schablonen verwendet werden.
Attention: This product was designed by using metric units. To avoid any deviations, the milling machine has to be set to the metric system. The drawings below are not drawn to scale and may not be used as templates.
Attention : Les plans ne sont pas à l'échelle et ne peuvent pas être utilisés comme gabarit.
Attenzione: I disegni tecnici seguenti sono fuori scala, non è possibile perciò usarli come maschera di riferimento.

**Außenseite, Exterior side,
 Extérieur, Lato esterno**



**Innenseite, Interior side,
 Intérieur, Lato interno**

Inhalt, Content, Fournitures, Contenuto

1. Schloss, Lock, Serrure, Serratura
2. Holzschraube, Wood screw, Vis bois, Vite da legno
3. Außenmuschel, Exterior plate, Rosace extérieure, M. ad incasso esterna
4. Innenmuschel, Interior plate, Rosace intérieure, M. ad incasso interna
5. Madenschraube A, Set screw A, Vis pointeau A, Vite senza testa A
6. Fingermuschel, Finger pull, Cuvette pour le doigt, Conchiglia
7. Madenschraube B, Set screw B, Vis pointeau B, Vite senza testa B
8. Vierkantstift, Spindle, Carré, Perno quadro

1. Montieren Sie den Schlosskasten (1) mit den gelieferten Holzschrauben (2)
2. Schieben Sie den Vierkantstift (8) der mit der Außenmuschel (3) verbunden ist durch die Schlossnuss. Achten Sie darauf, dass der Vierkantstift so angeordnet ist, dass die Innenmuschel auf den Spalt des Vierkantstiftes treffen kann.
3. Platzieren Sie die Außenmuschel in der vorgesehenen Bohrung und fixieren Sie diese mit den Madenschrauben B (7).
4. Stecken Sie die Innenmuschel (4) auf den Vierkantstift und ziehen Sie die Madenschraube A (5) an. Befestigen Sie die Innenmuschel zusätzlich mit Madenschrauben B (7).
5. Stecken Sie die Fingermuschel in die vorgesehene runde Bohrung und fixieren Sie diese mit der mitgelieferten Holzschraube.

1. Install the lock (1) in the door by using the two wood screws (2) provided.
2. Insert the spindle (8) of the exterior plate (3) into the hub of the lock. The oval notch of the spindle must point towards the set screw (5).
3. Push the exterior plate (3) into the pocket designed for this purpose and fix the plate by using two of the set screws B (7) provided.
4. Place the interior rose (4) on the spindle and tighten the set screw A (5). Also fix the interior plate by using the two remaining set screws B (7) provided.
5. Insert the finger pull into the circular pocket and fix it with one wood screw.

1. Monter et visser la serrure (1) avec les vis bois fournis. (2)
2. Insérer le carré relié à la rosace extérieure dans la serrure. Le carré doit être mis de façon à ce que la vis pointeau (A5) de la rosace intérieure rentre dans sa fente.
3. Insérer et fixer la rosace extérieure avec la vis pointeau B (7).
4. Insérer la rosace intérieure (4) sur le carré et serrer la vis pointeau A (5). Terminer la fixation de la rosace intérieure avec la vis pointeau B (7).
5. Insérer et fixer la cuvette pour le doigt avec les vis bois fournis.

1. Montare la serratura (1) con le viti da legno in dotazione (2)
2. Inserire il perno quadro (8) all'interno della maniglia ad incasso esterna (3) collegando entrambi alla serratura. Assicurarsi che il perno quadro sia posizionato con la fenditura verso l'alto, in modo tale che la vite senza testa A (5) della maniglia ad incasso interna possa perforarlo.
3. Collocare la maniglia ad incasso esterna nell'incavo precedentemente effettuato fissandola con le viti senza testa B (7).
4. Inserire la maniglia ad incasso interna (4) attraverso il perno quadro quindi avvitare la vite senza testa A (5). Assicurare ulteriormente la maniglia ad incasso interna con le viti senza testa B (7).
5. Collocare la conchiglia nell'incavo tondo precedentemente effettuato fissandola con le viti da legno in dotazione.

Limited Warranty (for United States and Canada only)

Karcher Design warrants to the original purchaser and first consumer owner that its products shall be free from defects in material or workmanship for 2 years after purchase. Subject to the conditions stated below, Karcher Design shall repair or replace (at our sole discretion) any defective product at no further charge. This warranty is valid only for the original purchaser and first consumer owner and is not transferable. This warranty *only* applies to products purchased directly from an authorized dealer of Karcher Design products. Our [website](#) contains a list of authorized dealers. You may be asked for proof of purchase, so please retain your receipt. To obtain warranty service, please contact an authorized reseller dealer directly. Do not contact Karcher Design directly with warranty questions. This warranty does not apply to ordinary wear and tear or to damage caused by conditions beyond Karcher Design's control, including but not limited to accidents, lack of reasonable care, weather conditions, improper installation or maintenance, alteration, or abuse. **In particular, this warranty does not apply to products that are not intended to be used outdoors (including products made out of wood, leather, carbon, glass, laminate, and satin nickel) that are in fact used outdoors.**

THE REMEDIES DESCRIBED ABOVE ARE YOUR SOLE AND EXCLUSIVE REMEDIES, AND CONSTITUTE KARCHER DESIGN'S ENTIRE LIABILITY FOR ANY BREACH OF THIS LIMITED WARRANTY. KARCHER DESIGN EXCLUDES AND EXPRESSLY DISCLAIMS LIABILITY FOR ANY CONSEQUENTIAL, INDIRECT, INCIDENTAL OR SPECIAL DAMAGES OF ANY NATURE ARISING OUT OF THE SALE, INSTALLATION, MAINTENANCE, USE OR FAILURE OF ANY KARCHER DESIGN PRODUCT, INCLUDING BUT NOT LIMITED TO LOSS OF PROFITS, PROPERTY DAMAGE, DAMAGES TO BUSINESS OR BUSINESS RELATIONS OR DAMAGES FOR LOSS OF OPERATION. IN ALL EVENTS KARCHER DESIGN'S LIABILITY WILL BE CAPPED AT THE PURCHASE PRICE PAID FOR THE PRODUCT.

Some states do not allow limitations on how long an implied warranty lasts, so the above limitation may not apply to you. Some states do not allow the exclusion or limitation of incidental or consequential damages, so the above limitation or exclusion may not apply to you. This warranty gives you specific legal rights, and you may also have other rights which vary from state to state. No representative or employee of Karcher Design is authorized to make any modification or addition to this warranty.

Karcher Design NA, LLC

1024 Industry Dr.
 Tukwila WA 98188
 Office: 559-475-8274
 Fax: 253-236-4469